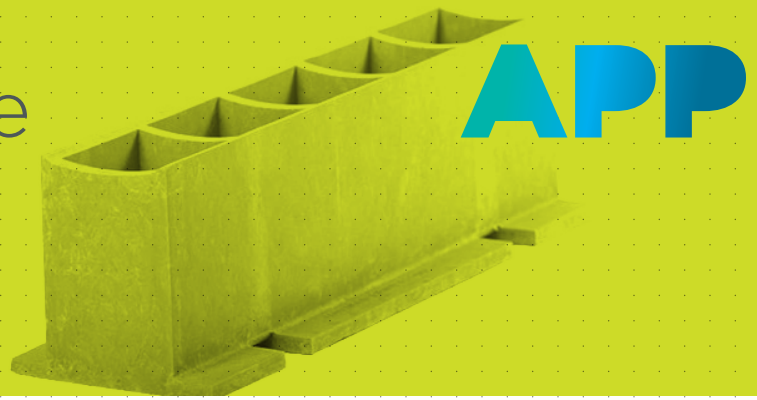


ProTek Composite Pipe Shoe

TECHNICAL DATA SHEET



TECHNICAL DATA

PRODUCT NAME	ProTek Composite Pipe Shoe
USES	Non-metallic solution for elevated or insulated pipe systems
DESCRIPTION	ProTek Composite Pipe Shoe is an in-stock, UV-resistant, non-metallic solution for elevated or insulated piping systems at the support points.

FEATURES

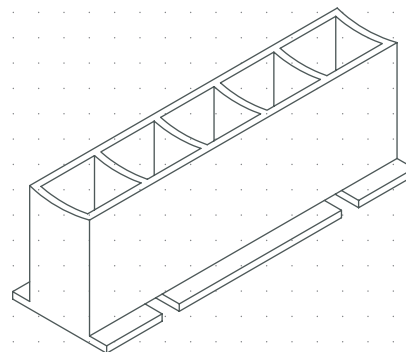
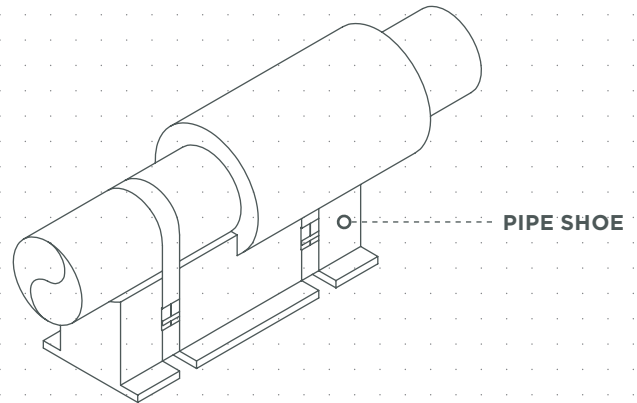
- » Lightweight composite material allows for ease of transportation and installation
- » UV-resistant
- » Non-conductive material does not promote heat transfer

PROPERTIES

COMPOSITION	APP-VEFR
COMPRESSIVE STRENGTH	150,000 psi
TEMPERATURE RANGE	-320°F to 400°F

ACCESSORIES

- » Silicone (BI-SL-100)
- » 2 each, 3/4" stainless steel bands per shoe (BI-C206)
- » 2 each, 3/4" wing clip bands per shoe (BI-C256)
- » Banding tool (BI-C001)



THREE STANDARD DIMENSIONS:

12" L x 4" W x 4" BOP
(1/2" thru 3" pipe)

14" L x 5-1/2" W x 4" BOP
(4" thru 8" pipe)

18" L x 5-1/2" W x 6" BOP
(4" thru 8" pipe)