

ProTek Rod

TECHNICAL DATA SHEET



TECHNICAL DATA

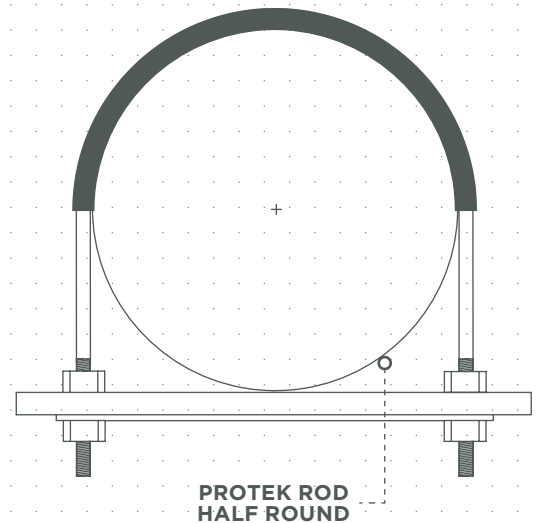
PRODUCT NAME	ProTek Rod
USES	Serve as a barrier between a metallic pipe and the metallic support
DESCRIPTION	Made out of a durable thermoplastic material, the ProTek Rod effectively prevents pipe corrosion by inhibiting the formation of a corrosion cell.

FEATURES

- » Prevents galvanic corrosion
- » High strength
- » High temperature resistance
- » Low coefficient of friction, which protects the pipe coating by limiting abrasion.
- » Low moisture absorption
- » Good creep resistance

PROPERTIES

COMPOSITION	Thermoplastic (acetal homopolymer)
TENSILE STRENGTH	9,500 psi
ELONGATION	30%
FLEXURAL STRENGTH	12,000 psi
SHEAR STRENGTH	8,000 psi
COMPRESSIVE STRENGTH	15,000 psi
ROCKWELL HARDNESS	M88
NOTCHED IZOD	1.0 ft-lb/in
WATER ABSORPTION 24 HRS	0.2
TEMPERATURE LIMITS	Continuous use up to 180°F



HALF ROUND



FULL ROUND

