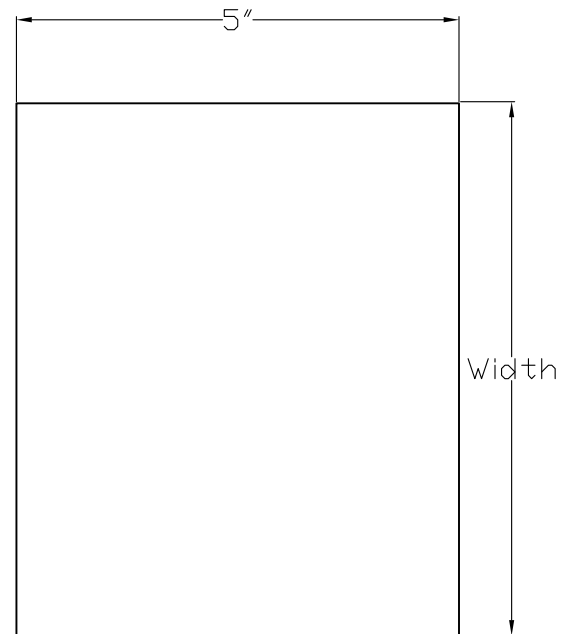
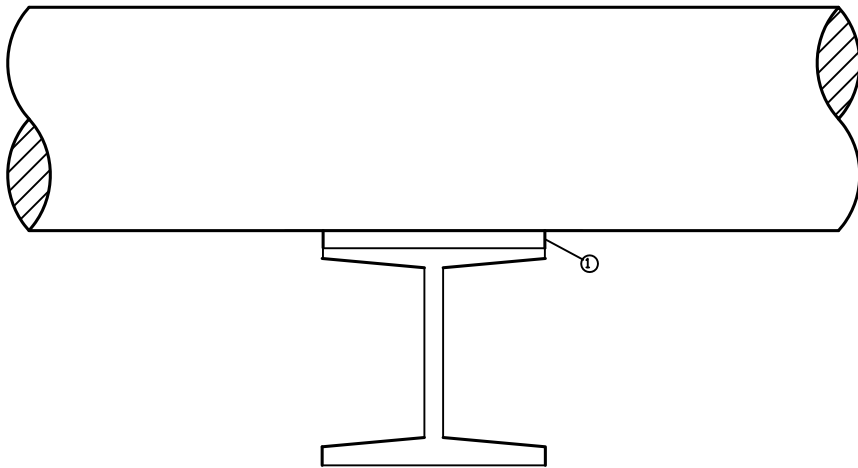
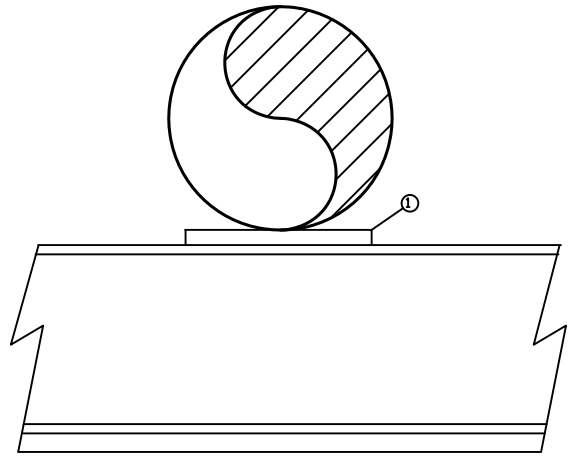


ProTek Flat Plate Dimensions

Pipe Size	Width	Length	Thickness
1/2" & 3/4"	1/2"	5'	1/8"
1"	3/4"	5'	1/8"
2"	1"	5'	1/8"
2.5"	1.5"	5'	1/8"
3"	2"	5'	1/8"
4"	3"	5'	1/8"
6"	5"	5'	1/8"
8"	7"	5'	1/8"
10"	9"	5'	1/8"
12"	11"	5'	1/8"
14"	13"	5'	1/8"
16"	15"	5'	1/8"
18"	17"	5'	1/8"
20"	19"	5'	1/8"
22"	21"	5'	1/8"
24"	23"	5'	1/8"



**NOTES & SPECIFICATIONS:**

1. APP ProTek Flat Plate is made from FRP
2. For installation, please refer to "APP ProTek Flat Plate Installation Instructions"
3. Available in custom sizes (maximum of 3 ft X 10 ft) and thicknesses (1/8", 1/4", & 3/8"). Set up fee may apply
4. Operating Temp Limit: -320° F (-195° C) to +400° F (+204° C).

ITEM	QTY	DESCRIPTION	MATERIAL
1	1	ProTek Flat Plate	Vinyl Ester Resin

CUSTOMER DATE: CD NAME: CONTACT: TEL. NO. E-MAIL: RFQ: PO: REF:	DWN.	DATE	03/20/15	<b>ADVANCED PIPING PRODUCTS</b> 5611 Guhn Road Suite A1 Houston, TX 77040 Tel. 713-956-2922 Fax 713-956-4090 www.appinc.co				
	CHK.							
	ENG.							
	MFG. APP			DWG DESCRIPTION APP ProTek Flat Plate				
	APPR.							
				SIZE	A	PFP0315	REV.	0
	NEXT ASSY	QTY		SCALE	None		SHEET	1 OF 1