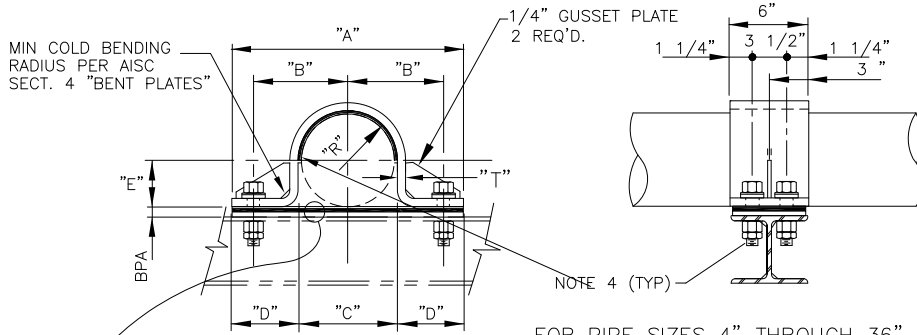
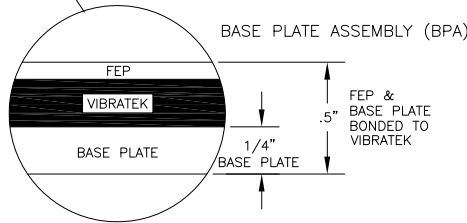


FOR PIPE SIZES 3/4" THROUGH 3"



FOR PIPE SIZES 4" THROUGH 36"



139A Dimensions (in.)										
NPS	A	B	C	D	E	*R	T	Bolt Length		
0.5	8.34	3.5	1.34	3.5	0.42	0.67	0.375	3		
0.75	8.55	3.5	1.55	3.5	0.525	0.775	0.375	3		
1	8.815	3.5	1.815	3.5	0.6575	0.9075	0.375	3		
1.5	9.4	3.5	2.4	3.5	0.95	1.2	0.375	3		
2	9.875	3.5	2.875	3.5	1.1875	1.4375	0.375	3		
3	11	4	4	3.5	1.75	2	0.375	3		
4	12	4.5	5	3.5	2.25	2.5	0.375	3		
6	14.125	5.625	7.125	3.5	3.3125	3.5625	0.375	3		
8	16.5	6.75	9.125	3.6875	4.3125	4.5625	0.375	3		
10	19.5	8.25	11.25	4.125	5.375	5.625	0.375	3		
12	21.5	9.25	13.25	4.125	6.375	6.625	0.5	3		
14	23.5	10.25	14.5	4.5	7	7.25	0.5	3		
16	25.5	11.25	16.5	4.5	8	8.25	0.5	3		
18	27.5	12.25	18.5	4.5	9	9.25	0.5	3		
20	29.5	13.25	20.5	4.5	10	10.25	0.5	3		
24	33.5	15.25	24.5	4.5	12	12.25	0.5	3		
30	39.5	18.25	30.5	4.5	15	15.25	0.5	3		
36	45.5	21.25	36.5	4.5	18	18.25	0.5	3		

NOTES:

- See Pipe Support General Notes for Additional Information
- FEP/VTK Pads
  - Temperature Range: -65 to +400°F
  - Coefficient of Friction ≤ .10
  - Same width as the clamp
- Bolts & Nuts:
  - ASTM A-325 3/4" DIA X 3" long galvanized UNC HEX head bolts, complete with a VibraTek galvanized 2" DIA X 3/4" flat washer assembly & 1 ea. galvanized A-563DH 3/4" UNC full nut & 1 ea. galvanized A-563DH 3/4" UNC half lock nut
  - VibraTek washer assembly to be installed under the head of the bolt with the steel washer side up
  - Full nut to be tightened HAND TIGHT ONLY + 1/2 TURN and locked with the 1/2 nut
  - Bolts sets to be provided by APP
- Clamps and bottom plate material to be carbon steel A36 galvanized
- Numbering/tagging method for the shop fabrication - See "Pipe Support General Notes"
- ISO pipe support numbering shall be 139A for the standard clamps
- VibraTek Hold Down Clamp assemblies are manufactured by Advanced Piping Products, Houston, TX TEL. 713-956-2922 EMAIL: sales@appinc.co

NOTE: \*DIM "R" IS PIPE RADIUS + FEP/VIBRATEK THICKNESS

CUSTOMER	DWN.	DATE	10/10/16	<b>ADVANCED PIPING PRODUCTS</b> 5611 Guhn Road Suite A1 Houston, TX 77040 Tel. 713-956-2922 Fax 713-956-4090 www.appinc.co			
DATE:	CHK.						
CO NAME:	ENG.			TYPE A RECIP. COMPR. SERVICE (HOLED)			
CONTACT:	MFG.						
TEL. NO.	APPR.			DWG DESCRIPTION VIBRATEK LINED PIPE HOLD DOWN CLAMP			
E-MAIL:							
RFQ:				SIZE	A	VTKA1016	REV. 10
PO:				SCALE	None		SHEET 1 OF 1
REF:	NEXT ASSY	QTY					