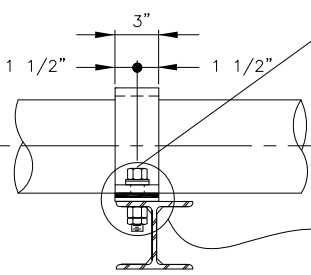
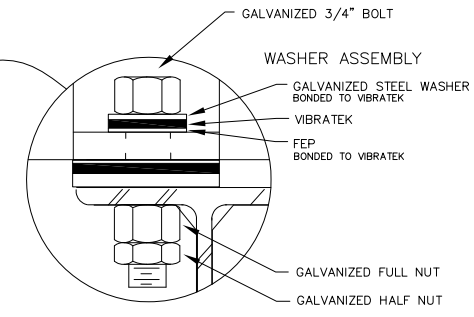


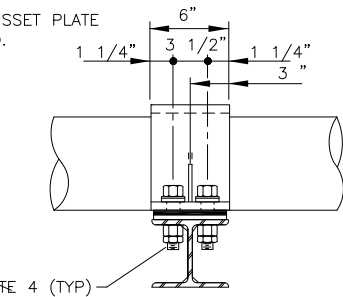
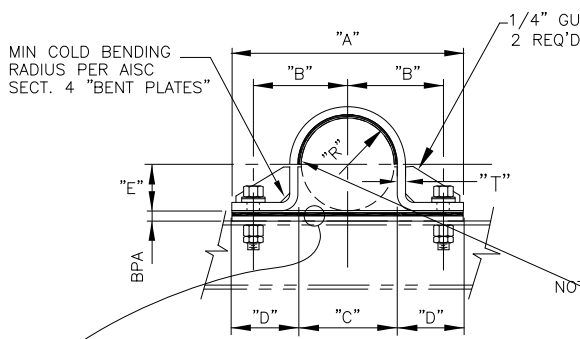
FOR PIPE SIZES 3/4" THROUGH 3"



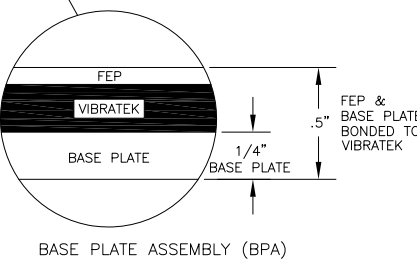
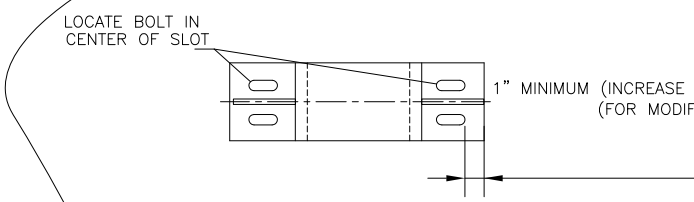
HOLE DIAMETER TO BE 13/16"  
FOR THE 3/4" CAD PLATED  
A325 BOLTS (TYP)  
ON THE STANDARD CLAMP  
BOLTING BY APP  
NOTE 3.D



TIGHTEN PER NOTE 3



FOR PIPE SIZES 4" THROUGH 36"



139B Dimensions (in.)								
NPS	A	B	C	D	E	*R	T	Bolt Length
0.5	8.34	3.5	1.34	3.5	0.42	0.67	0.375	3
0.75	8.55	3.5	1.55	3.5	0.525	0.775	0.375	3
1	8.815	3.5	1.815	3.5	0.6575	0.9075	0.375	3
1.5	9.4	3.5	2.4	3.5	0.95	1.2	0.375	3
2	9.875	3.5	2.875	3.5	1.1875	1.4375	0.375	3
3	11	4	4	3.5	1.75	2	0.375	3
4	12	4.5	5	3.5	2.25	2.5	0.375	3
6	14.125	5.625	7.125	3.5	3.3125	3.5625	0.375	3
8	16.5	6.75	9.125	3.6875	4.3125	4.5625	0.375	3
10	19.5	8.25	11.25	4.125	5.375	5.625	0.375	3
12	21.5	9.25	13.25	4.125	6.375	6.625	0.5	3
14	23.5	10.25	14.5	4.5	7	7.25	0.5	3
16	25.5	11.25	16.5	4.5	8	8.25	0.5	3
18	27.5	12.25	18.5	4.5	9	9.25	0.5	3
20	29.5	13.25	20.5	4.5	10	10.25	0.5	3
24	33.5	15.25	24.5	4.5	12	12.25	0.5	3
30	39.5	18.25	30.5	4.5	15	15.25	0.5	3
36	45.5	21.25	36.5	4.5	18	18.25	0.5	3

NOTE: \*DIM "R" is pipe radius +FEP VibraTek Thickness

- NOTES:
- See Pipe Support General Notes for Additional Information
  - FEP/VTK Pads
    - Temperature Range: -65 to +400°F
    - Coefficient of Friction ≤ .10
    - Same width as the clamp
  - Bolts & Nuts:
    - ASTM A-325 3/4" DIA X 3" long galvanized UNC HEX head bolts, complete with a VibraTek galvanized 2" DIA X 3/4" flat washer assembly & 1 ea. galvanized A-563DH 3/4" UNC full nut & 1 ea. galvanized A-563DH 3/4" UNC half lock nut
    - VibraTek washer assembly to be installed under the head of the bolt with the steel washer side up
    - Full nut to be tightened HAND TIGHT ONLY + 1/2 TURN and locked with the 1/2 nut
    - Bolts sets to be provided by APP
  - Clamps and bottom plate material to be carbon steel A36 galvanized
  - Numbering/tagging method for the shop fabrication - See "Pipe Support General Notes"
  - ISO pipe support numbering shall be 139B for the standard clamps
  - VibraTek Hold Down Clamp assemblies are manufactured by Advanced Piping Products, Houston, TX TEL. 713-956-2922 EMAIL: sales@appinc.co

CUSTOMER	DWN.	DATE	10/10/16	<b>ADVANCED PIPING PRODUCTS</b> 5611 Guhn Road Suite A1 Houston, TX 77040 Tel. 713-956-2922 Fax 713-956-4090 www.appinc.co  TYPE B RECIP. COMPR. SERVICE (SLOTTED)			
DATE:	CHK.						
CO NAME:	ENG.						
CONTACT:	MFG.						
TEL. NO.	APPR.						
E-MAIL:				DWG DESCRIPTION VIBRATEK LINED PIPE HOLD DOWN CLAMP			
RFQ:				SIZE	A	VTKB1016	REV. 10
PO:				SCALE	None		SHEET 1 OF 1
REF:	NEXT ASSY	QTY					