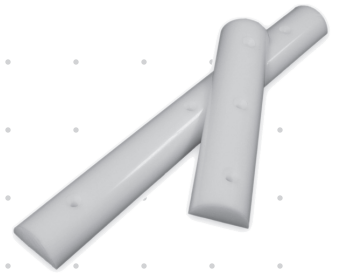
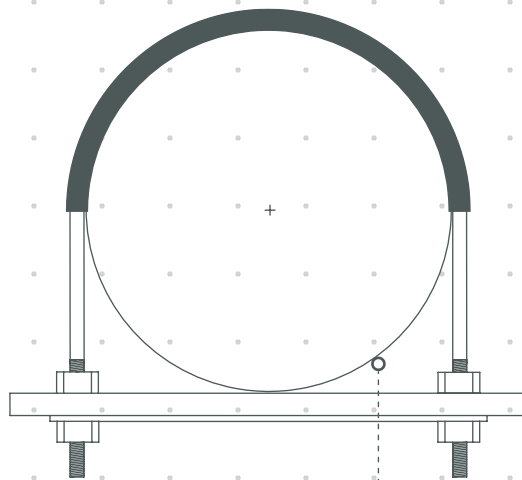


ProTek Rod



ProTek Rods serve as a barrier between a metallic pipe and the metallic support. The ProTek Rod is made out of a durable thermoplastic material. It effectively prevents pipe corrosion by inhibiting a corrosion cell from forming, thus prolonging the life of your piping system.

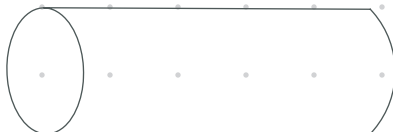


PROTEK ROD
HALF ROUND

HALF ROUND



FULL ROUND



BENEFITS

- » Prevents galvanic corrosion
- » High strength
- » High temperature resistance
- » Low coefficient of friction, which protects the pipe coating by limiting abrasion
- » Low moisture absorption
- » Good creep resistance

SPECIFICATIONS

COMPOSITION	Thermoplastic (acetal homopolymer)
TENSILE STRENGTH (ASTM D368)	9,500 psi
ELONGATION (ASTM D368)	30%
FLEXURAL STRENGTH (ASTM D790)	12,000 psi
SHEAR STRENGTH (ASTM D732)	8,000 psi
COMPRESSIVE STRENGTH (ASTM D695)	15,000 psi
IZOD IMPACT STRENGTH (ASTM D256)	1.0 ft-lbs/inch
TEMPERATURE LIMIT	Continuous service up to 180°F
POTENTIAL ACCESSORIES	ProTek Coated U-Bolt
INSTALLATION	ProTek Rod is anchored to a structural support with either the ProTek U-Bolt or a standard bolt.
CUSTOM MANUFACTURING	Available in various lengths.