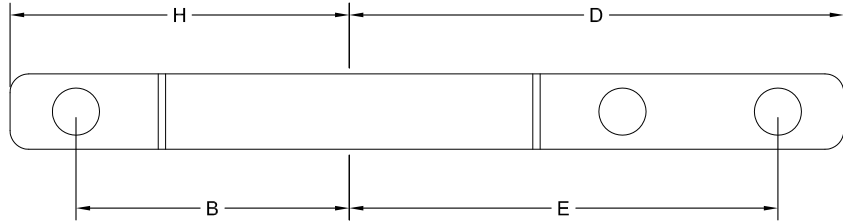


Top View:



Side View:

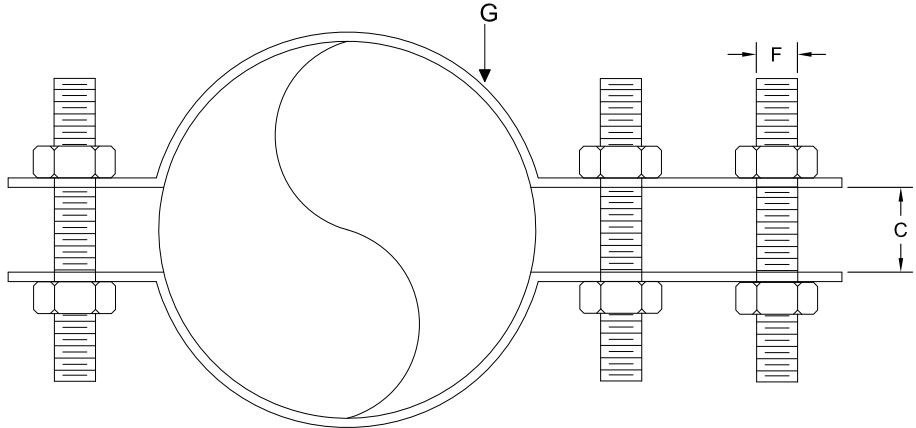


Figure 295 Loads (lbs.), Dimensions (in.), and Weights (lbs.)

Pipe Size	Max Load For Service Temp.		Weight	B	C	D	Rod Take Out E	F	G Width	H
	650 F	750 F								
3/4	950	-	0.7	15/16	5/8	2 7/8	2 7/16	3/8	1	1 3/8
1		-	0.8	1 1/16		3	2 9/16			1 1/2
1 1/4		-	0.8	1 1/4		3 1/8	2 11/16			1 11/16
1 1/2	1,545	1,380	2.3	1 13/16	1 1/16	4 7/8	4 1/8	5/8	1 1/4	2 3/8
2			2.6	2 1/8		5 7/8	5 1/8			2 11/16
2 1/2			1.97	2 5/8	5/8	6	5 3/8			3 1/4
3	2.17	2 7/8	6 5/8	6		3 1/2				
4	6.7	3 3/8	1 1/16	7 5/8		6 1/2	4 1/2			
5	7	3 15/16		8 1/8	7	5				
6	7.31	4 7/8		1 1/4	9 3/8	8 1/2	5 3/4			
8	8.33	6	10 3/8		9 1/2	6 7/8				
10	19.8	6 7/8	1 7/16		12	10 7/16	8 1/4			
12	22.3	7 7/8		13	11 7/16	9 1/4				
14	37.7	9 1/16		2	14 5/16	12 11/16	10 11/16			
16	41.4	10 1/16	15 5/16		13 11/16	11 11/16				
18	44.9	11 1/16	16 5/16		14 11/16	12 11/16				
20	57.3	12 3/8	2 1/4	17 5/8	15 7/8	14				
24	65.9	14 3/8		19 5/8	17 7/8	16				
28	112.3	17 1/2		2 1/2	24 1/4	21 3/4	20			
30	150	18 1/2	26 1/8		23 3/8	21 1/4				
32	193.3	19 5/8	3		28	25	22 5/8			
34	248.8	21 1/2		31 1/4	27 3/4	25				
36	257.5	22 1/2		32 1/4	28 3/4	26				

Notes and Specifications:

1. Material to be carbon steel (different materials and finishes available upon request)
2. Custom dimensions available upon request.
3. Maximum temperature: 750°F plain CS, 450°F galvanized

CUSTOMER DATE: CO NAME: CONTACT: TEL. NO. E-MAIL: RFQ: PO: REF:	DWN.	DATE	6/23/15	ADVANCED PIPING PRODUCTS 5611 Guhn Road Houston TX, 77040 Tel. 713-956-2922 Fax 713-956-4090 www.appinc.co				
	CHK.							
	ENG.							
		APPR.			DWG DESCRIPTION Fig. 295 Double Bolt Pipe Clamp			
		MFG.						
		SO.						
				SIZE	A	2950615	REV.	0
	NEXT ASSY	QTY		SCALE	None	SHEET	1 OF 1	