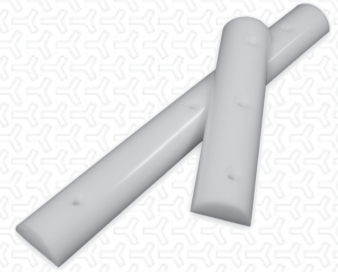
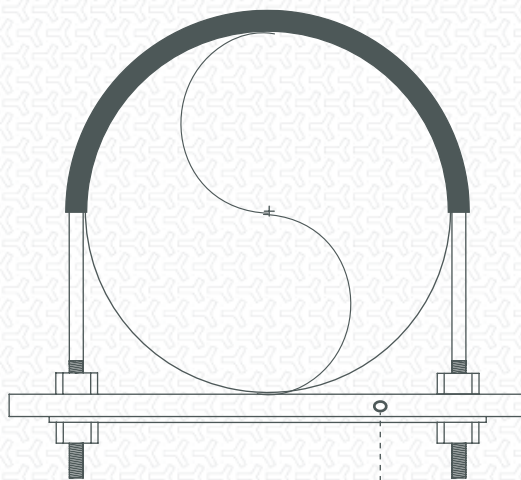


# ProTek Rod



ProTek Rods serve as a barrier between a metallic pipe and the metallic support. The ProTek Rod is made out of a durable thermoplastic material. It effectively prevents pipe corrosion by inhibiting a corrosion cell from forming, thus prolonging the life of your piping system.



PROTEK ROD  
HALF ROUND

HALF ROUND



FULL ROUND



## BENEFITS

- » Prevents galvanic corrosion
- » High strength
- » High temperature resistance
- » Low coefficient of friction, which protects the pipe coating by limiting abrasion
- » Low moisture absorption
- » Good creep resistance

## SPECIFICATIONS

<b>COMPOSITION</b>	Thermoplastic (acetal homopolymer)
<b>TENSILE STRENGTH (ASTM D368)</b>	9,500 psi
<b>ELONGATION (ASTM D368)</b>	30%
<b>FLEXURAL STRENGTH (ASTM D790)</b>	12,000 psi
<b>MODULUS OF ELASTICITY (FLEXURAL TEST)</b>	400,000 psi
<b>SHEAR STRENGTH (ASTM D732)</b>	8,000 psi
<b>COMPRESSIVE STRENGTH (ASTM D695)</b>	15,000 psi
<b>IZOD IMPACT STRENGTH (ASTM D256)</b>	1.0 ft-lbs/inch
<b>TEMPERATURE LIMIT</b>	Continuous service up to 180°F
<b>MELTING POINT</b>	335°F
<b>DEFLECTION TEMPERATURE</b>	220°F
<b>ROCKWELL HARDNESS (@73° F)</b>	88/120
<b>COEFFICIENT OF FRICTION</b>	0.21
<b>POTENTIAL ACCESSORIES</b>	ProTek Coated U-Bolt
<b>INSTALLATION</b>	ProTek Rod is anchored to a structural support with either the ProTek U-Bolt or a standard bolt.
<b>CUSTOM MANUFACTURING</b>	Available in various lengths.